

Spare parts list
(59700670) Spare parts list CV 30/1 - CV 38/1

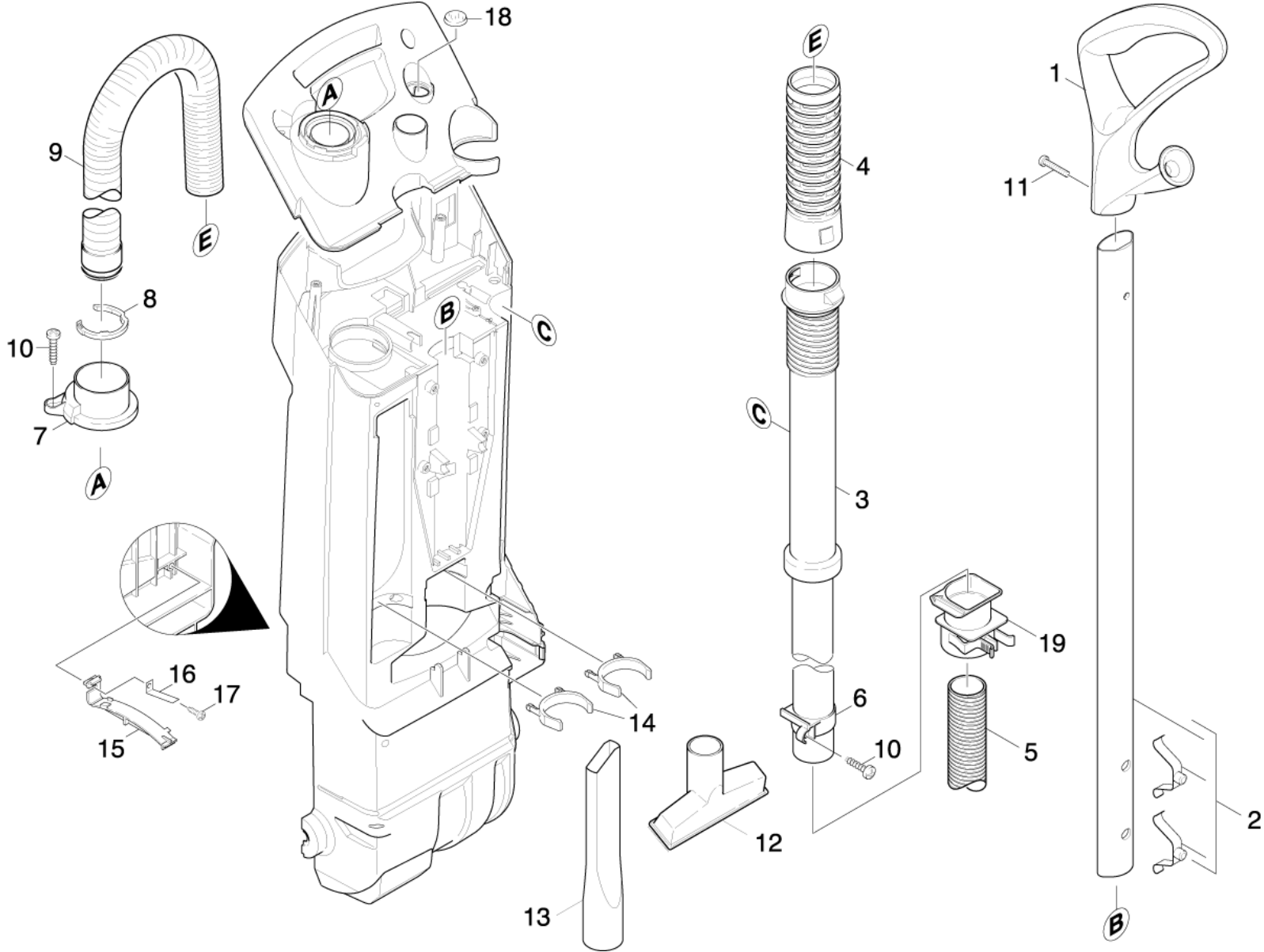
Spare parts list CV 30/1 - CV 38/1 (59700670).....	6
10 Top part (01638740).....	7
11 Individual parts (01638490).....	8
12 Individual parts (01643110).....	10
13 Appliance top part (01638500).....	12
20 Brush-head (01638980).....	15
21 Brush-head (01638510).....	16
22 Brush-head (01638990).....	18
30 Vacuum motor (01638520).....	20
40 Accessories (01638530).....	22

Spare parts list CV 30/1 - CV 38/1 (59700670)

pos	Article no.	Description	from ser.nr.	up to ser.nr.
10	01638740	Top part	0000000000	0000000000
20	01638980	Brush-head	0000000000	0000000000
30	01638520	Vacuum motor	0000000000	0000000000
40	01638530	Accessories	0000000000	0000000000

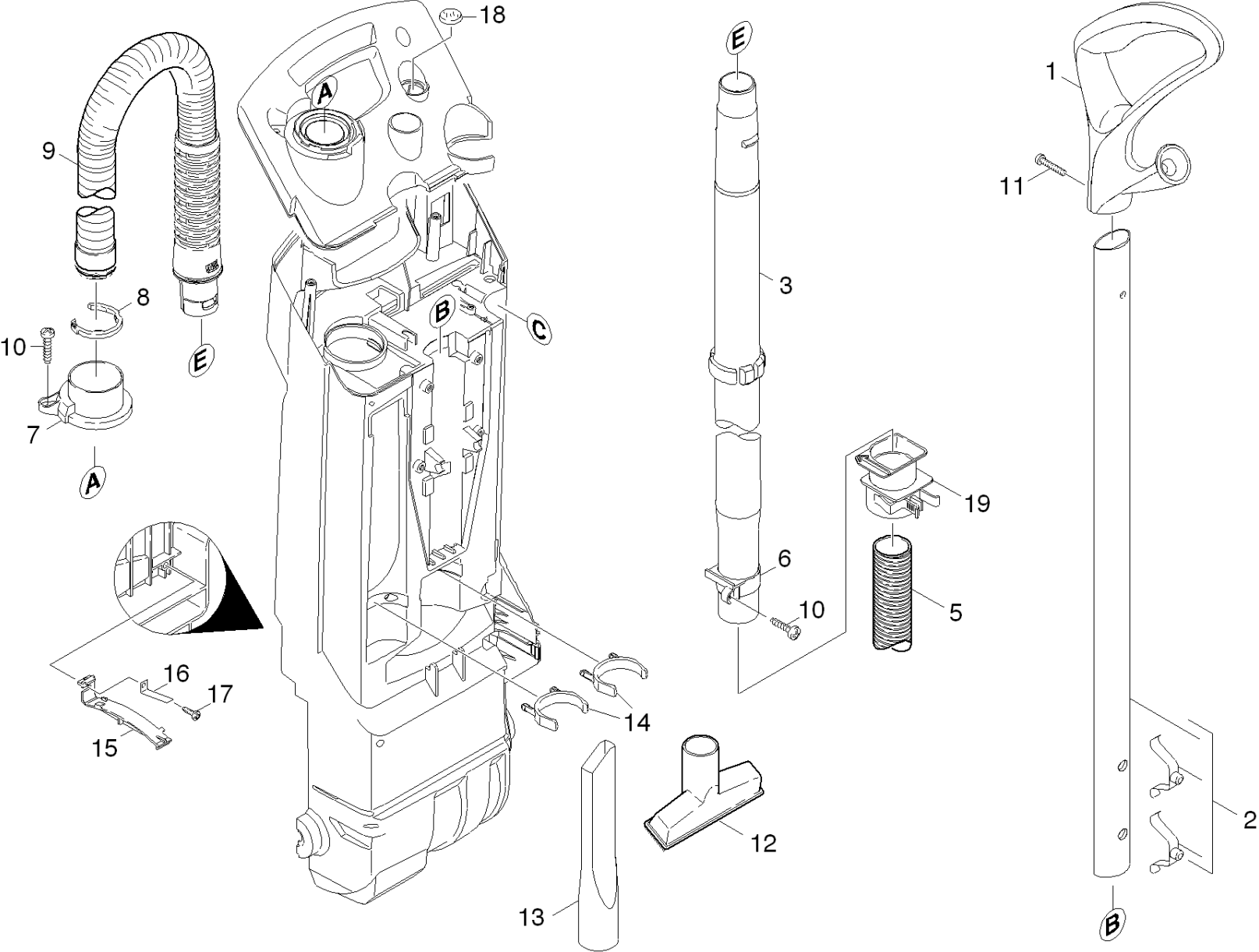
10 Top part (01638740)

pos	Article no.	Description	from ser.nr.	up to ser.nr.	Fußnotentext
11	01638490	Individual parts	0000000000	0000000000	VERSION 1
12	01643110	Individual parts	0000000000	0000000000	VERSION 2
13	01638500	Appliance top part	0000000000	0000000000	



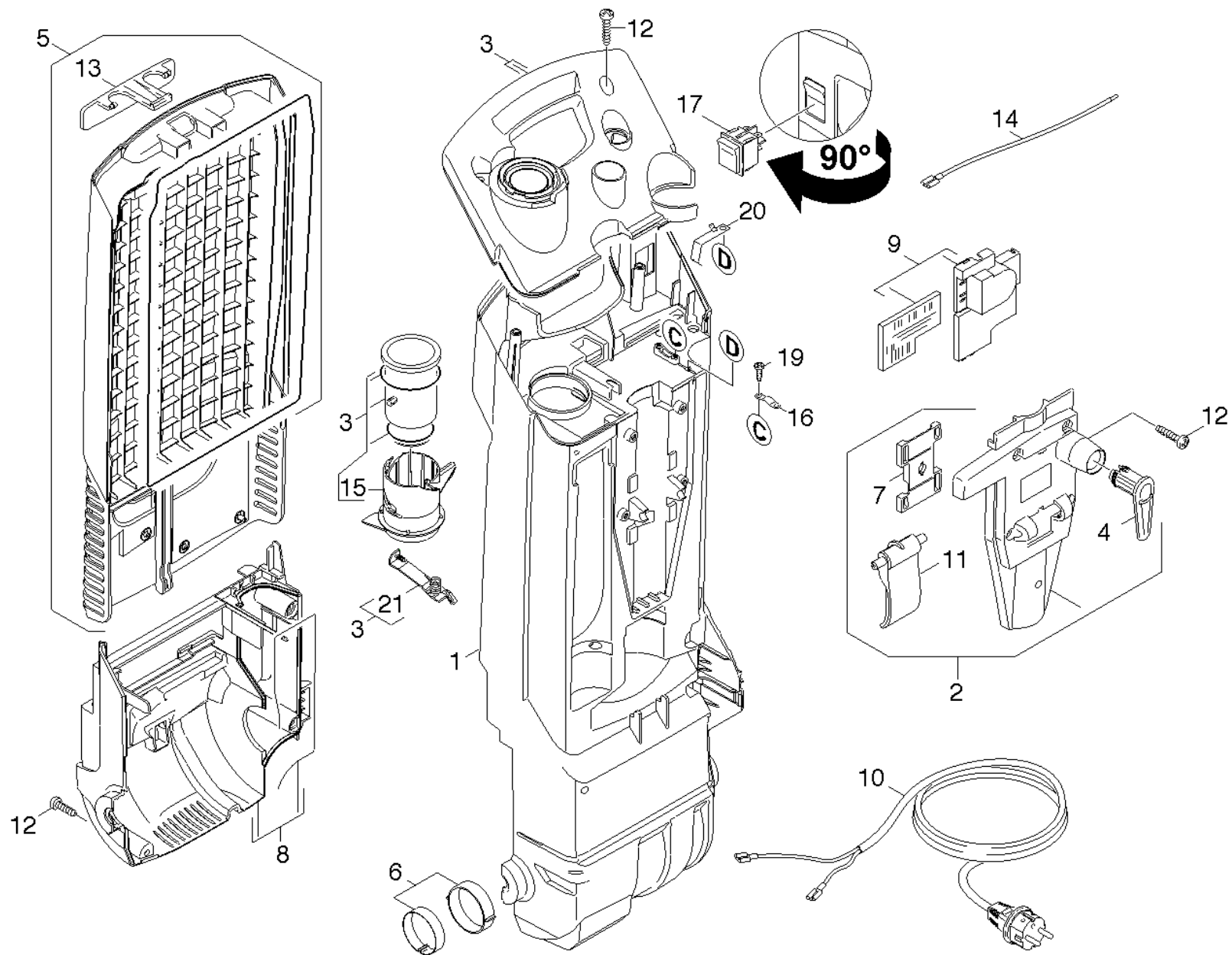
11 Individual parts (01638490)

ET/VT	pos	Article no.	Description	Quantity	Selling Unit	from ser.nr.	up to ser.nr.
	1	53217130	Handhold	1.000	ST	0000000000	0000000000
	2	41280010	Handle complete only for replacement	1.000	ST	0000000000	0000000000
X-	3	51285680	Suction tube	1.000	ST	0000000000	0000000000
X-	4	53946800	Kink protection suction hose	1.000	ST	0000000000	0000000000
X-X	5	63911150	Suction hose DN32	1.000	ST	0000000000	0000000000
	6	55700750	Ring suction tube	1.000	ST	0000000000	0000000000
X-	7	50325400	Hosebarb	1.000	ST	0000000000	0000000000
	8	50310110	Locking ring	1.000	ST	0000000000	0000000000
X-X	9	63911710	Suction hose DN32	1.000	ST	0000000000	0000000000
	10	73031080	Screw 5x20 -10.9-R2R (In6Rd)	2.000	ST	0000000000	0000000000
	11	73031180	Screw 5x40 -A2-70 (IN6Rd)	1.000	ST	0000000000	0000000000
X-	12	69002330	Upholstery nozzle DN35	1.000	ST	0000000000	0000000000
X-X	13	69062400	Crevice nozzle DN35	1.000	ST	0000000000	0000000000
	14	50411110	Clip accessories	2.000	ST	0000000000	0000000000
	15	50428360	Holder filter	1.000	ST	0000000000	0000000000
	16	53323390	Spring	1.000	ST	0000000000	0000000000
	17	73031060	Screw 4x12 -10.9-R2R (IN6RD)	1.000	ST	0000000000	0000000000
	18	50315210	Lens	1.000	ST	0000000000	0000000000
	19	54071150	Sleeve suction tube	1.000	ST	0000000000	0000000000



12 Individual parts (01643110)

ET/VT	pos	Article no.	Description	Quantity	Selling Unit	from ser.nr.	up to ser.nr.
	1	53217130	Handhold	1.000	ST	0000000000	0000000000
	2	41280010	Handle complete only for replacement	1.000	ST	0000000000	0000000000
X-X	3	51290460	Suction tube	1.000	ST	0000000000	0000000000
X-X	5	63911150	Suction hose DN32	1.000	ST	0000000000	0000000000
	6	55700750	Ring suction tube	1.000	ST	0000000000	0000000000
X-	7	50325400	Hosebarb	1.000	ST	0000000000	0000000000
	8	50310110	Locking ring	1.000	ST	0000000000	0000000000
X-X	9	44407820	Suction hose complete	1.000	ST	0000000000	0000000000
	10	73031080	Screw 5x20 -10.9-R2R (In6Rd)	2.000	ST	0000000000	0000000000
	11	73031180	Screw 5x40 -A2-70 (IN6Rd)	1.000	ST	0000000000	0000000000
X-	12	69002330	Upholstery nozzle DN35	1.000	ST	0000000000	0000000000
X-X	13	69062400	Crevice nozzle DN35	1.000	ST	0000000000	0000000000
	14	50411110	Clip accessories	2.000	ST	0000000000	0000000000
	15	50428360	Holder filter	1.000	ST	0000000000	0000000000
	16	53323390	Spring	1.000	ST	0000000000	0000000000
	17	73031060	Screw 4x12 -10.9-R2R (IN6RD)	1.000	ST	0000000000	0000000000
	18	50315210	Lens	1.000	ST	0000000000	0000000000
	19	54071150	Sleeve suction tube	1.000	ST	0000000000	0000000000



13 Appliance top part (01638500)

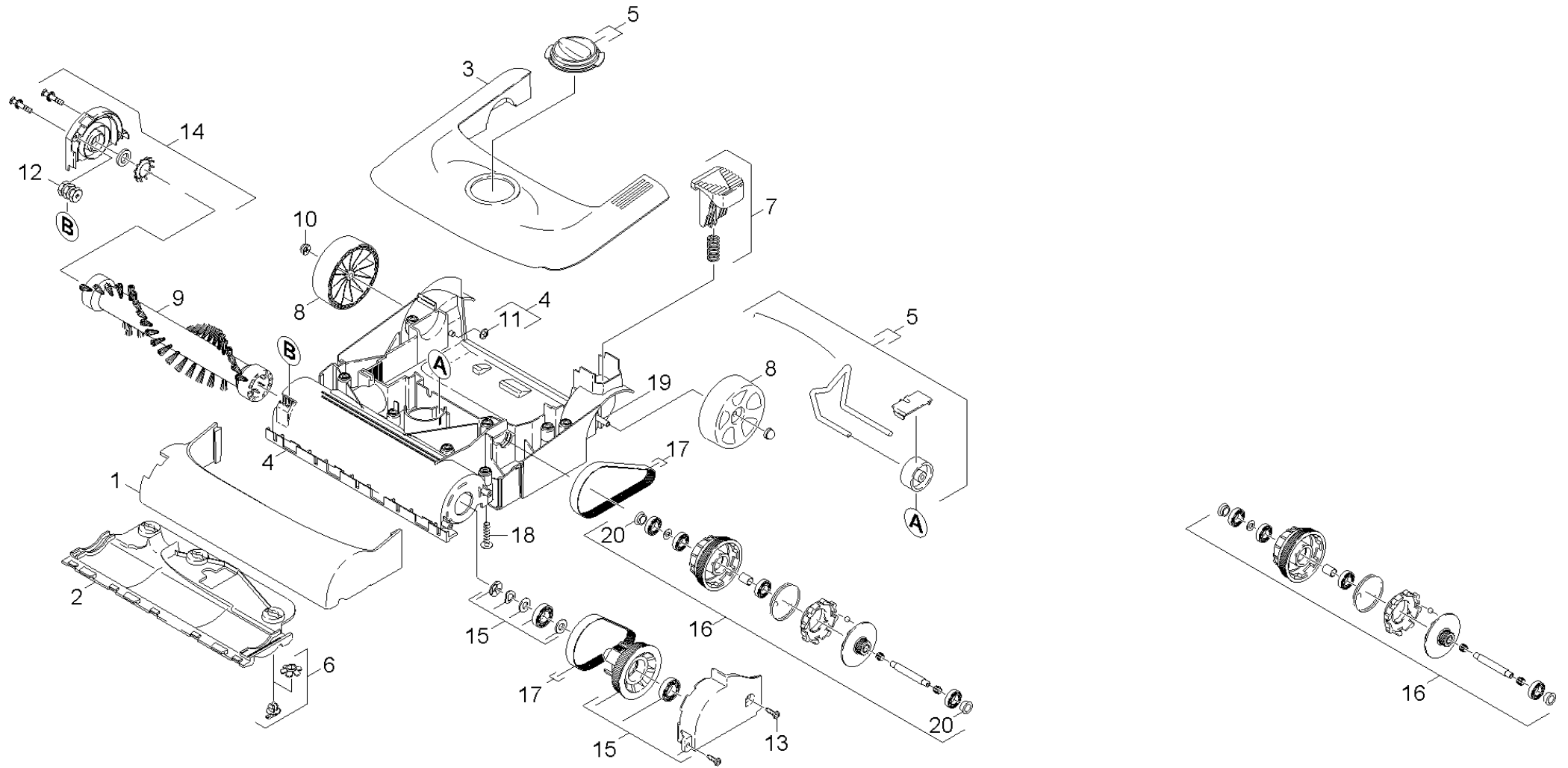
ET/VT pos	Article no.	Description	Quantity	Selling Unit	from ser.nr.	up to ser.nr.	var. information
	1	50609910 Housing	1.000	ST	0000000000	0000000000	
	2	40320030 Covering cap complete only for replaceme	1.000	ST	0000000000	0000000000	
	3	40320040 Covering cap electric	1.000	ST	0000000000	0000000000	
X-X	4	50446610 Catch for cable	1.000	ST	0000000000	0000000000	
	5	40640160 Cover complete	1.000	ST	0000000000	0000000000	
	6	42500790 BEARING SHELL kpl.	1.000	ST	0000000000	0000000000	
	7	50324480 CLAMP	1.000	ST	0000000000	0000000000	
	8	40532240 Covering cap motor complete nur fuer Ers	1.000	ST	0000000000	0000000000	
	9	46820010 Circuit board only for replacement CV30/	1.000	ST	0000000000	0000000000	
Positionstext: / 1.023-105.0 / 1.435-105.0							
	9	46820000 Circuit board only for replacement CV30/	1.000	ST	0000000000	0000000000	
Positionstext: / 1.023-101.0 / -102.0 / -104.0 / -107.0/ 1.435-101.0							
	10	46490020 Power cable	1.000	ST	0000000000	0000000000	*EUR
Positionstext: / 1.023-101.0 / 1.435-101.0							
	10	46490030 Power cable	1.000	ST	0000000000	0000000000	*GB
Positionstext: / 1.023-102.0							
	10	46490200 Power cable only for replacement	1.000	ST			*CN
Positionstext: / 1.023-107.0							
	10	46490050 Power cable only for replacement	1.000	ST	0000000000	0000000000	*AU
Positionstext: / 1.023-104.0							
X-X	10	46490260 Power cable nur fuer Ersatz	1.000	ST	0000000000	0000000000	*USA
Positionstext: / 1.023-105.0 / 1.435-105.0							
	11	54813450 Clamp lever	1.000	ST	0000000000	0000000000	
	12	73031080 Screw 5x20 -10.9-R2R (In6Rd)	9.000	ST	0000000000	0000000000	
	13	50750300 Closure cover	1.000	ST	0000000000	0000000000	

13 Appliance top part (01638500)

ET/VT pos	Article no.	Description	Quantity	Selling Unit	from ser.nr.	up to ser.nr.	var. information
14	48393290	Electrical small parts	1.000	ST	0000000000	0000000000	
Positionstext: / 1.023-105.0 / 1.435-105.0							
14	48393250	Electrical small parts CV 30/1	1.000	ST	0000000000	0000000000	
Positionstext: / 1.023-101.0 / -102.0 / -104.0 / -107.0/ 1.435-101.0							
15	54813520	OPERATING LEVER	1.000	ST			
16	69032410	Clamp clip	1.000	ST	0000000000	0000000000	
17	66301560	Rocker switch black	1.000	ST	0000000000	0000000000	
19	63033180	Screw 3,5x12-10.9-R2R (IN6RD)	2.000	ST	0000000000	0000000000	
20	50346890	Spring earthing	1.000	ST	0000000000	0000000000	
21	43320080	Spring connection piece completely	1.000	ST	0000000000	0000000000	

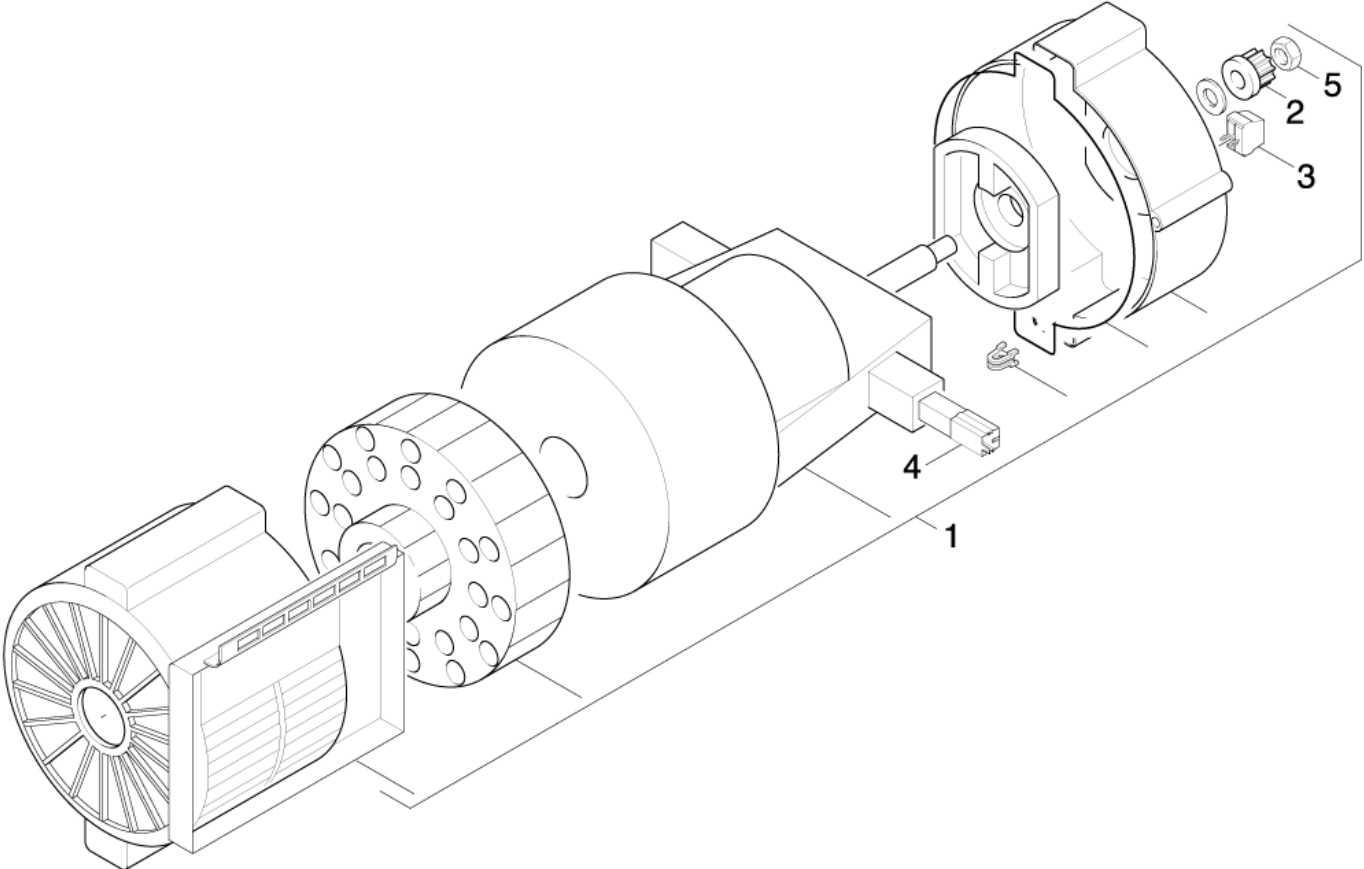
20 Brush-head (01638980)

pos	Article no.	Description	from ser.nr.	up to ser.nr.	var. information
21	01638510	Brush-head	0000000000	0000000000	CV 30/1
22	01638990	Brush-head	0000000000	0000000000	CV 38/1



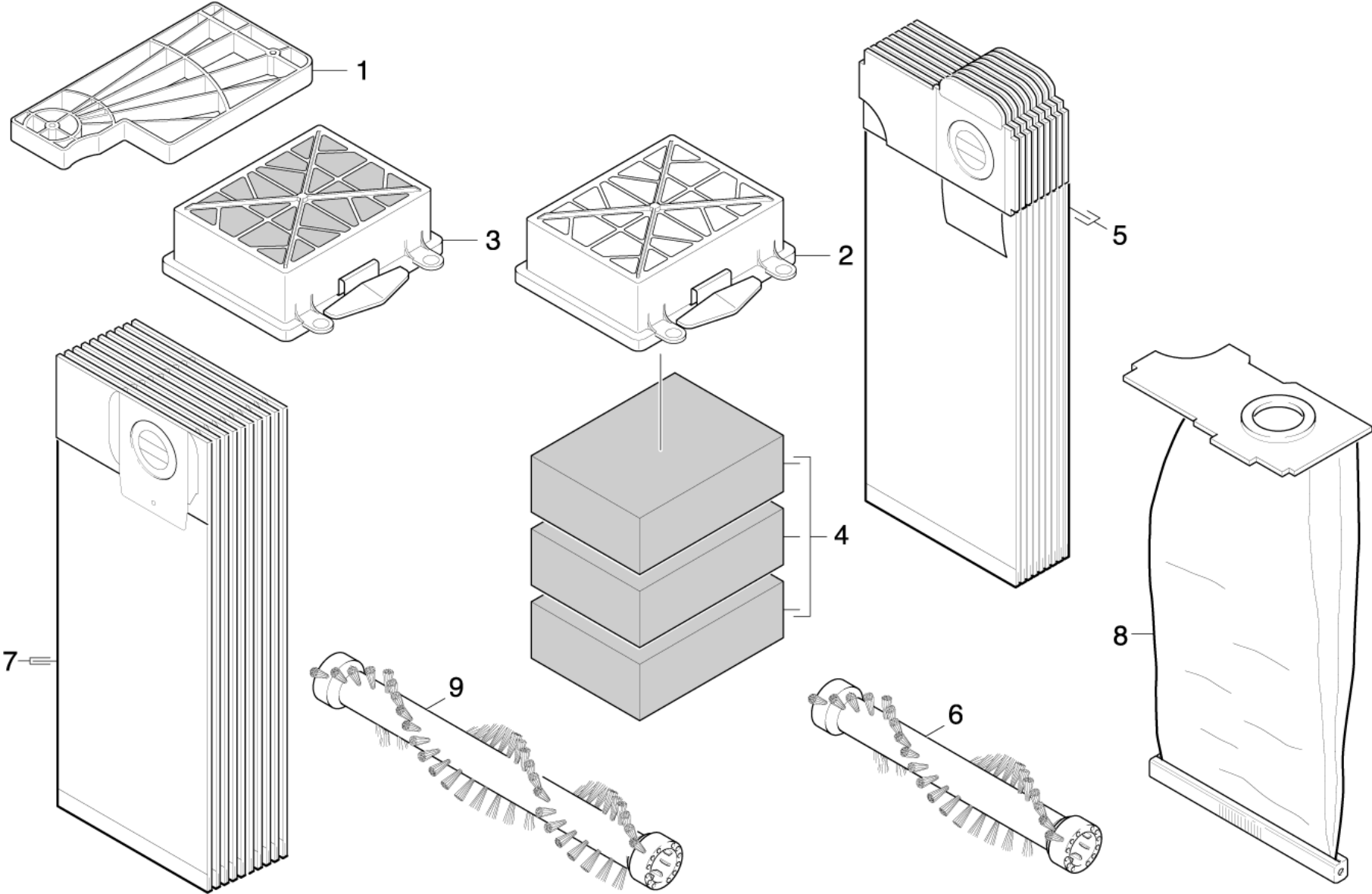
21 Brush-head (01638510)

ET/VT	pos	Article no.	Description	Quantity	Selling Unit	from ser.nr.	up to ser.nr.
	1	50324040	Bumper CV 30/1	1.000	ST	0000000000	0000000000
X-X	2	50582860	Sliding bottom CV 30/1	1.000	ST	0000000000	0000000000
	3	50609780	Housing top part yellow CV 30/1	1.000	ST	0000000000	0000000000
	4	40606970	Housing complete CV30/1	1.000	ST	0000000000	0000000000
	5	45150960	ADJUSTING WHEEL kpl.	1.000	ST	0000000000	0000000000
X-X	6	28842730	Closure parts set only for replacement	1.000	ST	0000000000	0000000000
X-	7	44810000	Foot pedal complete only for replacement	1.000	ST	0000000000	0000000000
X-X	8	55151880	Wheel	2.000	ST	0000000000	0000000000
X-X	9	69066410	Roller brush black M	1.000	ST	0000000000	0000000000
X-X	10	63431870	Lock washer	2.000	ST	0000000000	0000000000
	11	63431190	Lock washer	2.000	ST	0000000000	0000000000
	12	54012880	Screw connector part	2.000	ST	0000000000	0000000000
	13	73031060	Screw 4x12 -10.9-R2R (IN6RD)	2.000	ST	0000000000	0000000000
X-X	14	40638690	Covering cap complete brush	1.000	ST	0000000000	0000000000
X-X	15	40637740	Covering cap complete belt	1.000	ST	0000000000	0000000000
X-X	16	44700220	Coupler complete	1.000	ST	0000000000	0000000000
X-X	17	28842740	Spare parts set belt	1.000	ST	0000000000	0000000000
	18	73031080	Screw 5x20 -10.9-R2R (In6Rd)	8.000	ST	0000000000	0000000000
X-X	19	94121630	Axle	1.000	ST		
	20	50326170	Moulded part ring	2.000	ST		



30 Vacuum motor (01638520)

ET/VT	pos	Article no.	Description	Quantity	Selling Unit	from ser.nr.	up to ser.nr.
	1	40605900	Motor frame complete	1.000	ST	0000000000	0000000000
Positionstext: / 1.023-101.0 / -102.0 / -104.0 / -107.0/ 1.435-101.0							
	1	40605910	Motor frame complete	1.000	ST	0000000000	0000000000
Positionstext: / 1.023-105.0 / 1.435-105.0							
X-X	2	53520850	Pinion	1.000	ST	0000000000	0000000000
	3	66435510	Strip terminal	1.000	ST	0000000000	0000000000
	4	66102490	Carbon brush set 120V (Domel)	1.000	ST	0000000000	0000000000
Positionstext: / 1.023-105.0 / 1.435-105.0							
	4	66102550	Carbon brush set 6.490-175	1.000	ST	0000000000	0000000000
Positionstext: / 1.023-101.0 / -102.0 / -104.0 / -107.0/ 1.435-101.0							
X-	5	73114310	Hexagon nut M 5-1.4305 ISO 10511	1.000	ST	0000000000	0000000000



40 Accessories (01638530)

ET/VT	pos	Article no.	Description	Quantity	Selling Unit	from ser.nr.	up to ser.nr.	Fußnotentext
X-X	1	57316110	Filter motor protecting	1.000	ST	0000000000	0000000000	
X-	2	57316140	Filter frame grey	1.000	ST	0000000000	0000000000	
	3	64147600	Filter packaged HEPA	1.000	ST	0000000000	0000000000	
X-X	4	64147610	Filter sponge packaged Kärcher 3St.	1.000	ST	0000000000	0000000000	
X-X	5	69042940	FILTER BAGS 10 PC	1.000	ST	0000000000	0000000000	
	6	69066420	Roller brush red	1.000	ST	0000000000	0000000000	RED
Positionstext: / 1.023-101.0 / -102.0 / -104.0 / -105.0/ -107.0								
X-X	7	69043050	Filter bag fleece	1.000	ST	0000000000	0000000000	
X-X	8	69043010	Filter bag cloth	1.000	ST	0000000000	0000000000	
	9	69066440	Roller brush red	1.000	ST	0000000000	0000000000	RED
Positionstext: / 1.435-101.0 / -105.0								